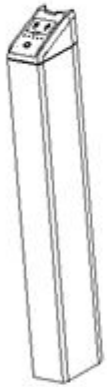


Spare Parts List of FITRIDER Scooter :



Battery



Handle bar

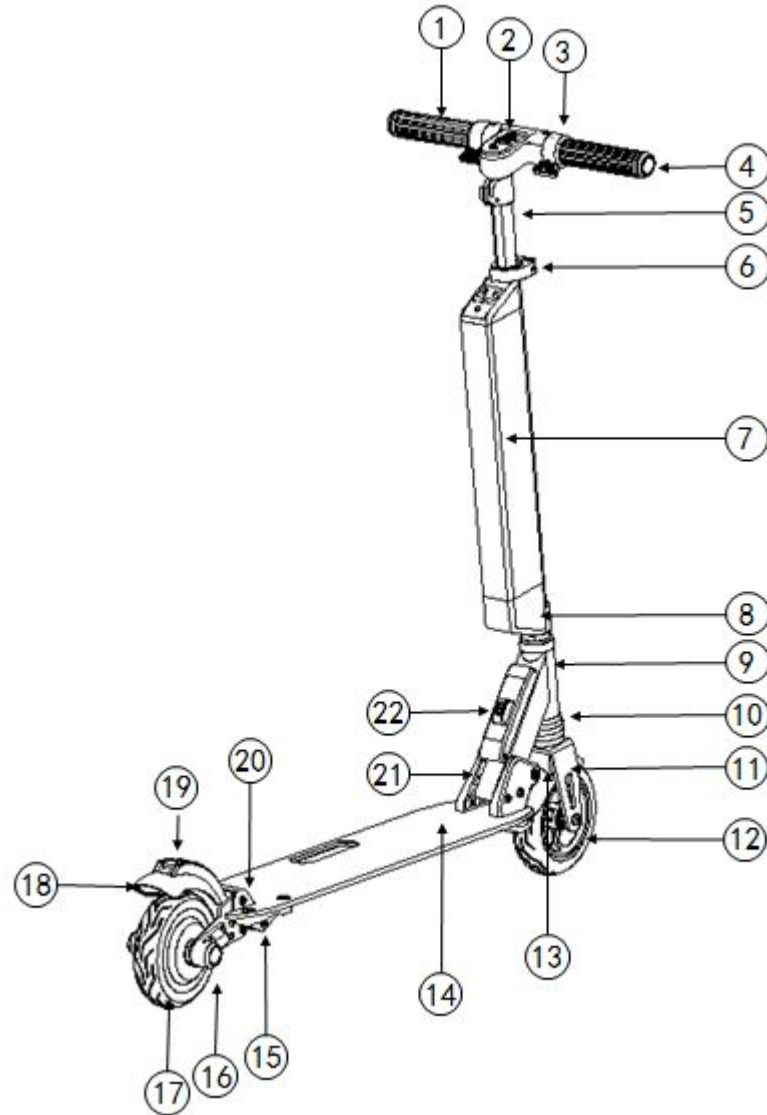


Charger



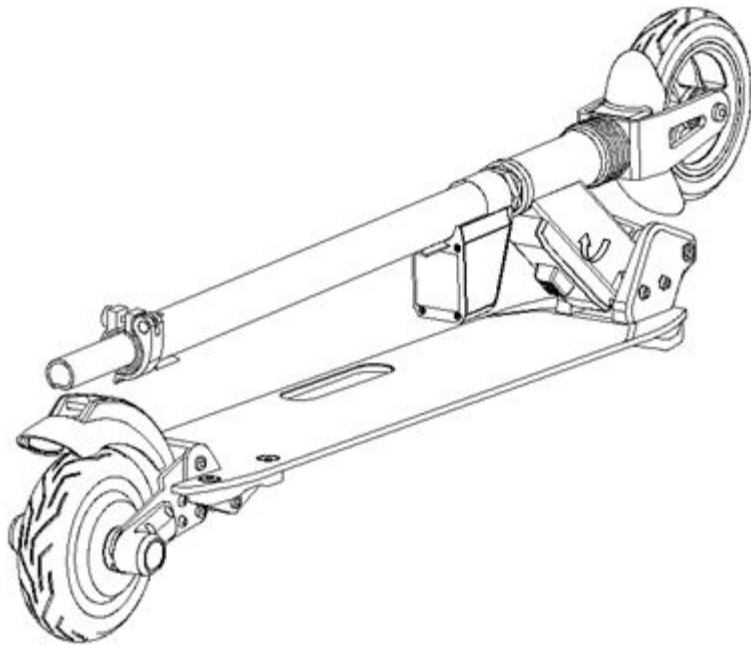
Allen wrench

Structure Chart of FITRIDER Scooter:

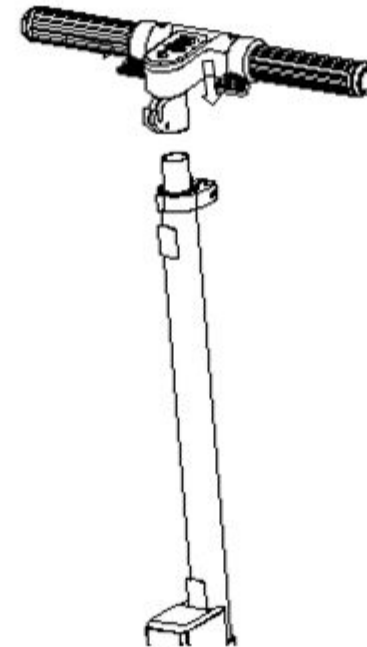


- | | |
|------------------------|-----------------------|
| ① grip | ⑫ front wheel |
| ② display | ⑬ front mudguard |
| ③ pick | ⑭ frame |
| ④ indicator | ⑮ rear shock absorber |
| ⑤ extendable pole | ⑯ rear fork |
| ⑥ clamp | ⑰ motor |
| ⑦ battery | ⑱ tail light |
| ⑧ controller | ⑲ rear mudguard |
| ⑨ V type tube | ⑳ rear fork block |
| ⑩ front shock absorber | ㉑ V type tube support |
| ⑪ front fork | ㉒ folding button |

Installation of FITRIDER Scooter



1. Press the folding button and put the steering pole upright according to the arrow in photo



2. Connect the cable of handle bar with the cable of steering pole, insert the handle bar pole into steering pole, then fasten it by Allen wrench and make sure the handle bar in the correct direction.

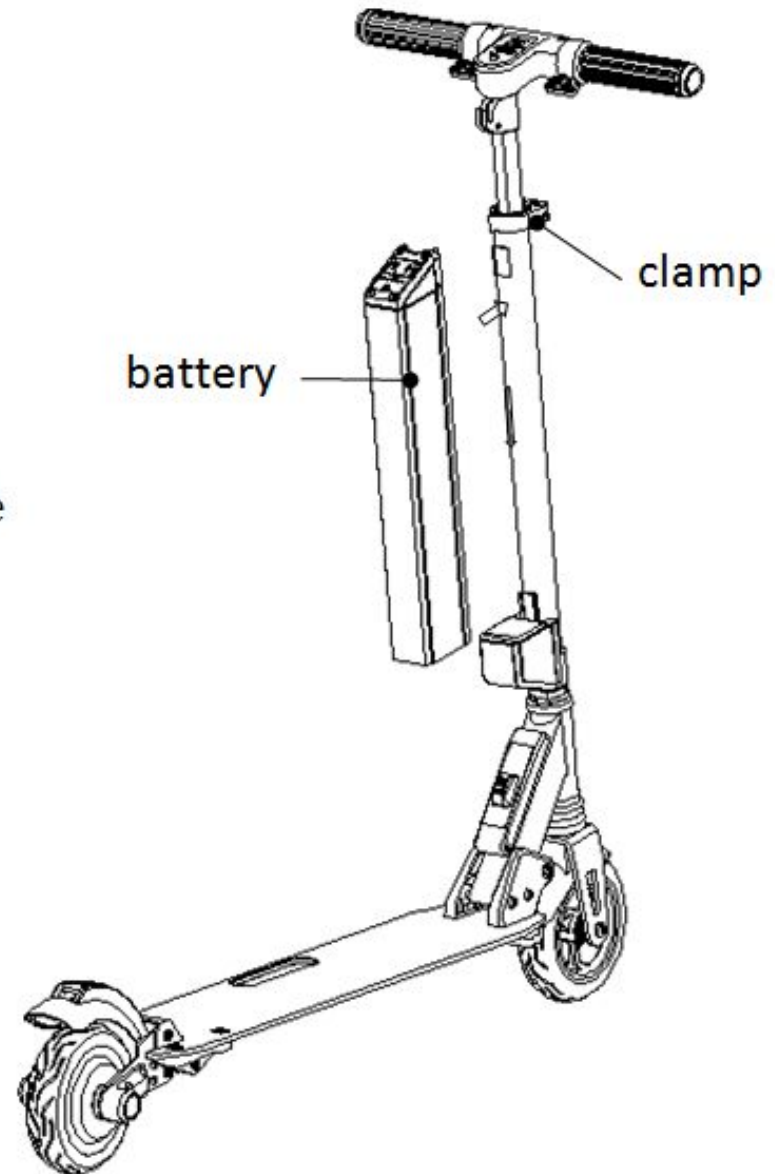
Battery Installation & Removal:

Installing:

1. loose the clamp on steering pole;
2. fix and lock the battery pack on the steering pole according to the arrow in photo;
3. lock the clamp to fasten.

Removal:

1. Loose the clamp;
2. take down the battery pack upward;
3. lock the clamp.

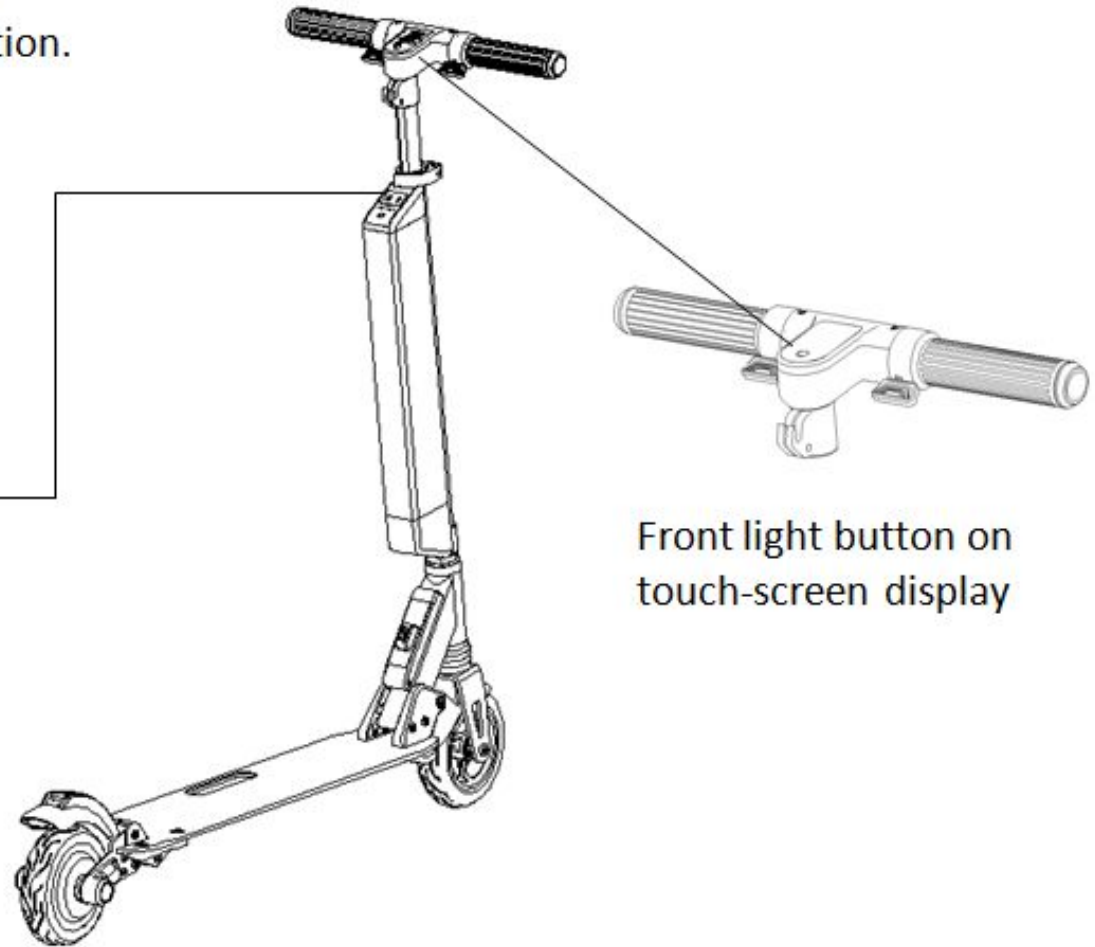


Riding Instruction of FITRIDER Scooter :

**Long press on power button(>2seconds)
to start the Fitrider Scooter**

1.Right pick on handle bar is for acceleration.

2.Left pick on handle bar is for brake.



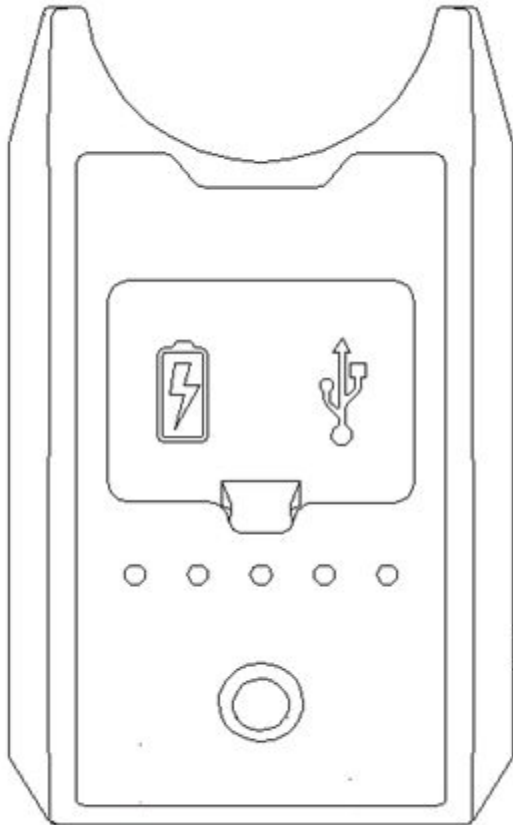
Front light button on
touch-screen display

Warning: Bicycle lane only :

Electronic brake and mechanical brake(by rear mudguard)can be used at the same time ;

Please charge the battery every 45 days for battery maintenance .

Battery Instruction :



Start:

Long press on power button(>2seconds) , five indicator lights show the battery power :

80~100%, with five indicator lights ;

60~80%, with four indicator lights ;

40~60%, with three indicator lights ;

20~40%, with two indicator lights ;

0~20%, with one indicator lights .

(The display also shows the battery power.)

Power off:

Long press on the power button (>2seconds) to power off.

Charging:

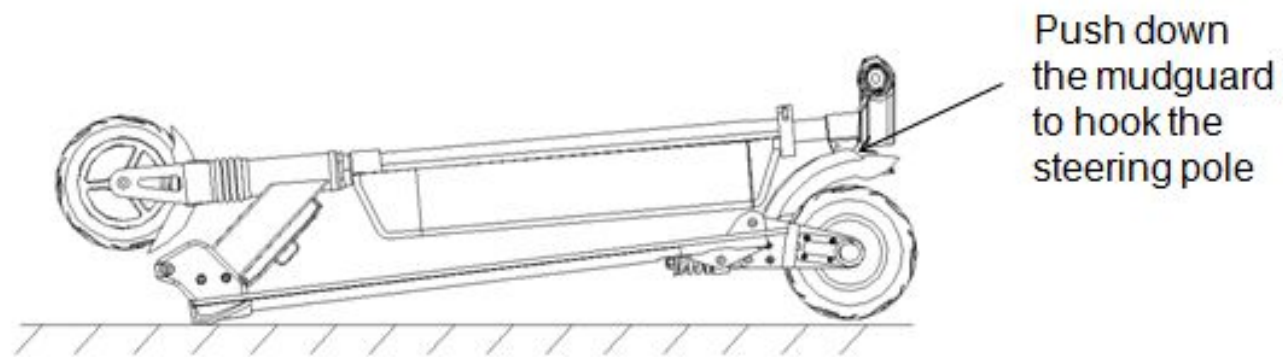
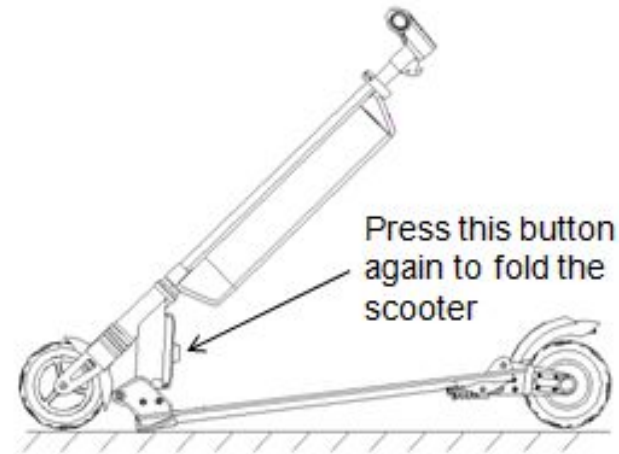
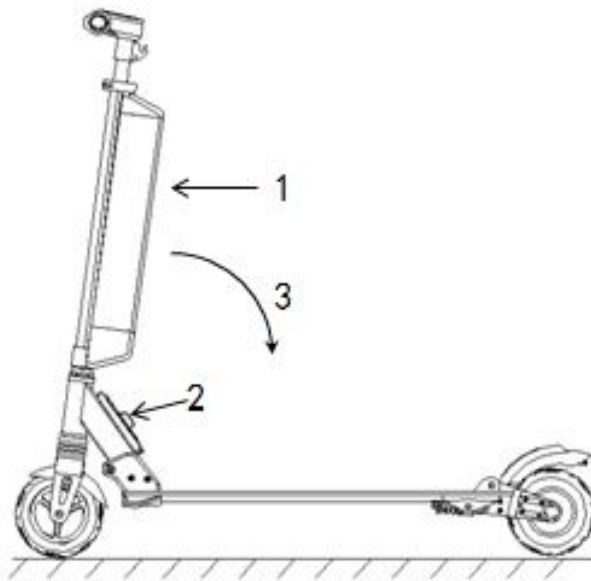
Charger indicator is red when charging , indicator turn into green when charging fully .

Display instruction:



Notice : When the battery power is low, Fitrider Scooter will enter into low speed mode .

Parking & Folding of FITRIDER Scooter:



Parking:

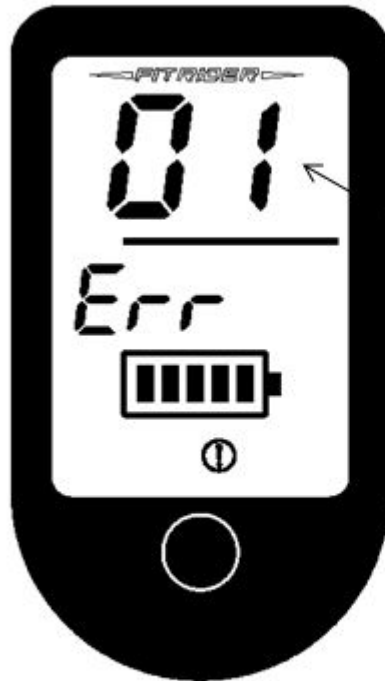
1. Push the steering pole forward and hold it
2. Press the folding button to unlock the steering pole
3. Put down the steering pole until it locked (See Photo-2)

The Fitrider Scooter can stand by itself at this parking position (See Photo-2) .

Folding:

Press the folding button again and lay down the steering pole (See Photo-3) to fold.

Trouble Warning



Err 1

Motor Faulty

Err 2

Acceleration Faulty

Err 3

Brake Faulty

Err 4

Motor Blocking

Err 8

Low Battery Power

Err 10

Wire Connection Faulty

FITRIDER Scooter F1 Model

Specification

Tech	Size before folding	1020x135x960~1160mm
	Size after folding	985x400x320mm
	Weight	9.5kg
	Packing Size	1030x200x300mm
	Max Loading	≤100kg
	Wheel Size	5.5'inch / 6'inch
	Range	14-20km
	Max Speed	<25km/h
	Motor Power	Brushless Motor 300W / Rear-Drive
Battery	Battery Capacity	36V 4.4AH /5.2AH /6.4AH
	Charging Time	2~3Hours
	BMS(Battery Management System)	Yes
	USB Output	5V/1A
™OS	Fault Diagnosis	Motor, Battery low power, Connection, Control System
	Connection	Bluetooth 4.0
APP	Phone Systems	iOS、 Android

FITRIDER Scooter T1 / T1S Model

Specification

Tech	Size before folding	1020x145x1235mm
	Size after folding	985x420x350mm
	Weight	12kg
	Packing Size	1030x235x515mm
	Max Loading	≤150kg
	Wheel Size	8'inch
	Range	15-22km
	Max Speed	<25km/h
	Motor Power	Brushless Motor 350W / Rear-Drive
Battery	Battery Capacity	36V 4.4AH /5.2AH /6.4AH
	Charging Time	2~3 Hours
	BMS(Battery Management System)	Yes
	USB Output	5V/1A
™OS	Fault Diagnosis	Motor, Battery low power, Connection, Control System
	Connection	Bluetooth 4.0
APP	Phone Systems	iOS、 Android

Warranty:

We provide one year warranty for our Fitrider Scooter except conditions as follows

A.Warranty is expired

B.Damages due to incorrect assembly or use without instruction in user manual

C.Unexpected damages due to user's liabilities

D.Failures due to non-authorized disassembly, repair and modification

E.Damages due to incorrect charging or not use original charger

F.Damages during loading and transportation from user for service

G.Damages caused by force majeure like earthquake or fire